

C Series

IEC-320 C14 Inlet Line Filters
1-20 Amp Panel Mount Package



UL File No. LR56661
CSA File No. LR49272
TUV File No. R30001
VDE File No. 51403

Approvals are pending
for 10 & 20 Amp Models

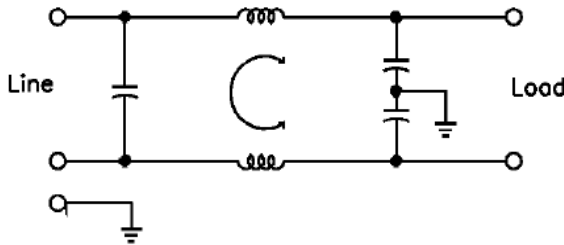


Applications

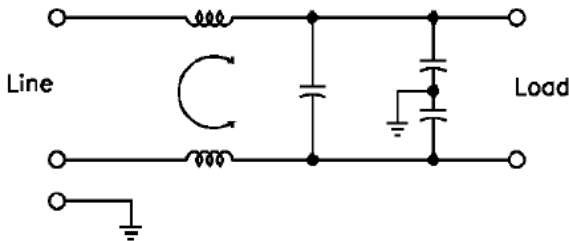
The C series General Performance connector filters offer attenuation of both common and differential noise. The 1, 3, 6, 10 and 20 ampere filters utilize IEC-320 C14 power connectors and provide protection from line-to-line and line-to-ground interference.

These filters are designed for a wide variety of filtering applications. They offer protection from line-to-line and line-to-ground interference.

Electrical Schematic (1, 3, 6, 20 Amp Models)



Electrical Schematic (10 Amp Models)



How to define a part number:



Specifications

Voltage rating:	115/250 VAC
Line frequency:	50/60 Hz
Leakage current: (line-to-ground*)	0.25 mA maximum at 115 V, 60 Hz 0.50 mA maximum at 250 V, 50 Hz
Test voltage:	Line to ground, 2250 VDC Line to line, 1450 VDC

Common Mode

Current Rating	Frequency (MHz)							
	0.15	0.2	0.5	1	5	10	20	30
1 A	22	28	35	40	46	50	50	50 (dB)
3 A	15	20	25	30	45	50	55	55 (dB)
6 A	9	14	20	25	41	45	50	50 (dB)
10 A	10	12	18	23	42	40	40	45 (dB)
20 A	5	8	13	15	23	28	35	43 (dB)

Differential Mode

Current Rating	Frequency (MHz)							
	0.15	0.2	0.5	1	5	10	20	30
1 A	0	0	1	4	33	37	37	36 (dB)
3 A	0	0	1	3	33	37	37	36 (dB)
6 A	0	0	0	1	25	35	35	34 (dB)
10 A	0	0	2	5	35	40	40	36 (dB)
20 A	3	8	15	20	45	35	45	55 (dB)

C Series

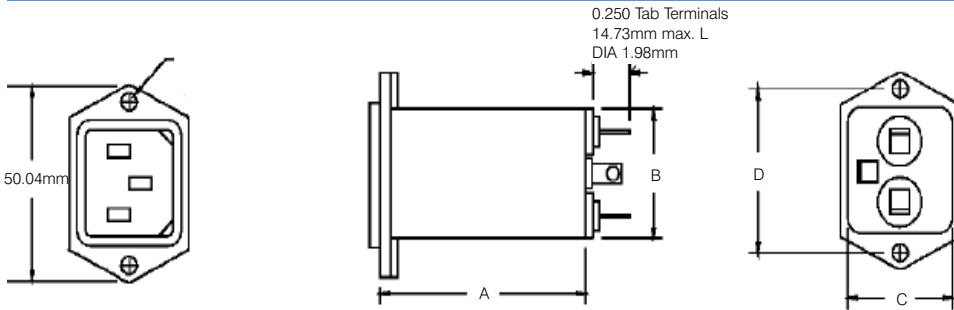
For small solder lug terminations add suffix L; e.g., CA-

Ordering Information

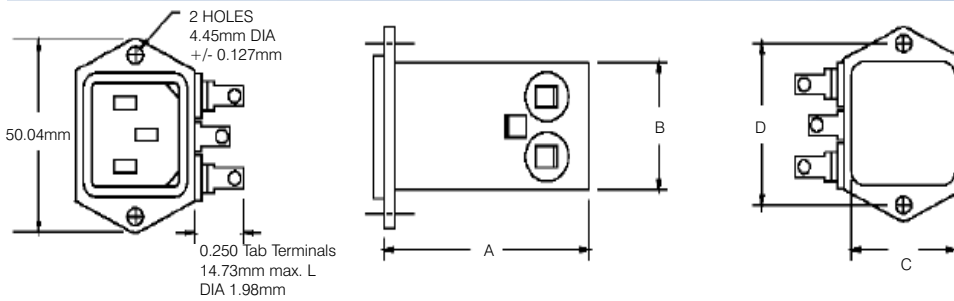
Current Rating	Part Number	Dimensions (mm)			
		A	B	C	D
1A	CA-1	39.37	29.72	20.57	40.00
	CB-1	39.37	29.72	20.57	40.00
3A	CA-3	39.37	29.72	20.57	40.00
	CB-3	39.37	29.72	20.57	40.00
6A	CA-6	39.37	29.72	20.57	40.00
	CB-6	39.37	29.72	20.57	40.00
10A	CA-10	50.8	29.72	20.57	39.88
	CA-10	50.8	29.72	20.57	39.88
20A	CA-20	101.6	35.56	27.94	41.91

For small solder lug terminations add suffix "L"; e.g. CA-1L.
 For 4.25" Wire Leads, add the suffix "W"; e.g. CA-1W
 Contact the factory for other wire lengths or terminations.

CASE STYLE A:



CASE STYLE B:



PANEL CUT-OUT:

