

ESM Series

IEC-320 C14 Inlet Power Entry Module
for Medical Applications



NRTL/C
CSA NRTL File No. 110265
TUV File No. E9672914

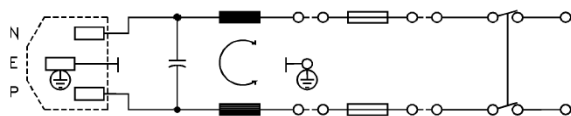


Applications

The ESMS Series offers Snap-in or Flange Mount modules for medical applications providing very low leakage for the medical and dental equipment requirements of UL60601 and EN60601. The series reduces line-to-line & line-to-ground noise must be controlled and is rated for 6 amps..

All of the above series provide an IEC connector, single or double fuses and 2-pole power ON/OFF switch.

Electrical Schematic



How to define a part number:

ESM

Series

S

S=Snap-In
F=Flange

2

Fusing
1=Single
2=Dual

6

Current
Rating

Specifications

Voltage rating: 115/250 VAC

Line frequency: 50/60 Hz

Leakage current: 3.00 μ A maximum at 115 V, 60 Hz
(line-to-ground) 5.00 μ A maximum at 250 V, 50 Hz

Test voltage: Line to ground, 2250 VDC
Line to line, 1450 VDC

Common Mode

Current Rating	Frequency (MHz)						
	.15	.5	1	3	5	10	30
6 A	8	12	15	18	18	18	18 (db)

Differential Mode

Current Rating	Frequency (MHz)						
	.15	.5	1	3	5	10	30
6 A	4	8	15	28	32	35	35(db)

Minimum Insertion loss in 50 ohm system per MIL-STD-220A

ESM Series

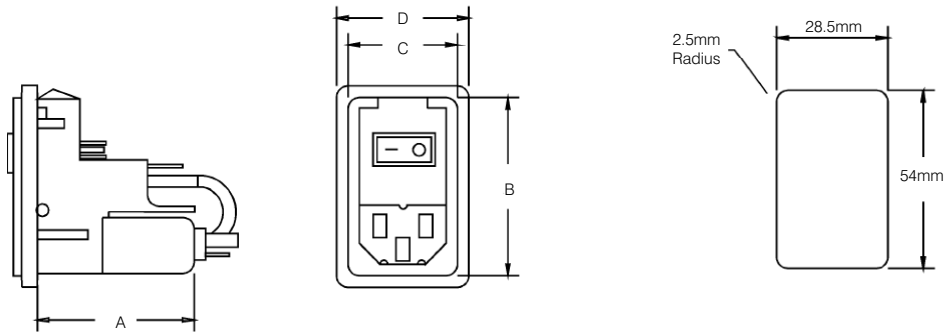
Ordering Information

Current Rating	Part Number	Dimensions (mm)			
		A	B	C	D
6A	ESMS1-6	38.86	54.10	27.94	32.00
	ESMF1-6	38.86	54.10	27.94	39.88
	ESMS2-6	38.86	54.10	27.94	32.00
	ESMF2-6	38.86	54.10	27.94	39.88

Connections are 0.250 Tab Terminals which extend 14.73mm.
Mounting Hole Diameters on ESMF Models are 4.78mm

ESMS Models:

Panel Cut-Out:



ESMF Models:

Panel Cut-Out:

