

EX Series

IEC-320 C14 Inlet Power Entry Module



NRTL/C
CSA NRTL File No. 110265
TUV File No. E9672915



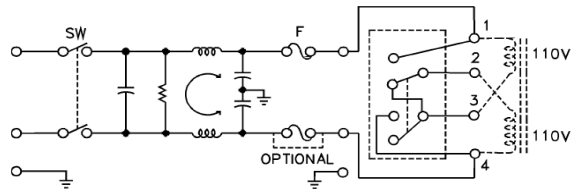
Applications

SAE Power's EX Series power entry modules provide ALL-IN-ONE install unit. It incorporates an IEC connector, single or dual fuse holder(s) and optional voltage selector switch. It adapts to 110-120V or 220-240V input voltage simply by reversing the fuse cartridge and are offered with a 3, 6 or 10 amp rating.

Specifications

Voltage rating:	115/250 VAC
Line frequency:	50/60 Hz
Leakage current: (line-to-ground)	0.25 mA maximum at 115 V, 60 Hz 0.50 mA maximum at 250 V, 50 Hz
Test voltage:	Line to ground, 2250 VDC Line to line, 1450 VDC

Electrical Schematic



How to define a part number:

EX **1** **3**
Series Fusing Current
1=Single 2=Dual Rating

Common Mode

Current Rating	Frequency (MHz)						
	.05	.1	.15	1	5	10	30
3 A	10	15	20	35	45	45	30 (db)
6 A	5	8	12	25	35	40	35 (db)
10 A	5	8	12	25	35	40	35 (db)

Differential Mode

Current Rating	Frequency (MHz)						
	.05	.1	.15	1	5	10	30
3 A	5	8	12	30	40	45	30 (db)
6 A	2	5	8	20	30	40	40(db)
10 A	2	5	8	25	35	45	35 (db)

Minimum Insertion loss in 50 ohm system per MIL-STD-220A

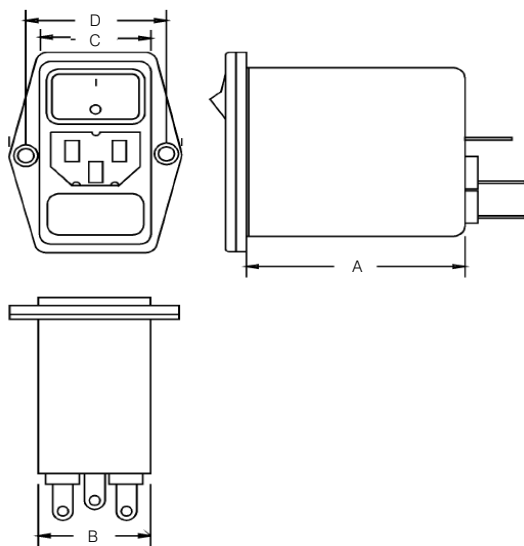
EX Series

Ordering Information

Current Rating	Part Number	Dimensions (mm)			
		A	B	C	D
3A	EX1-3	70.10	29.00	28.50	40.00
	EX2-3	70.10	29.00	28.50	40.00
6A	EX1-6	70.10	29.00	28.50	40.00
	EX2-6	70.10	29.00	28.50	40.00
10A	EX1-10	70.10	29.00	28.50	40.00
	EX2-10	70.10	29.00	28.50	40.00

Connections are 0.250 Tab Terminals which extend 14.73mm.
Mounting Hole Diameters are 4.78mm

Dimensions:



Panel Cut-Out:

