

# EY Series

High Performance Power Entry Module



NRTL/C  
CSA NRTL File No. 110265  
TUV File No. E9672915



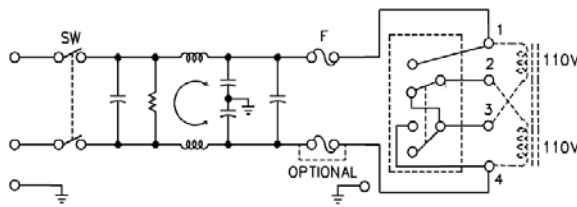
## Applications

SAE Power's high-performance EY Series power entry modules provide an ALL-IN-ONE install unit. It incorporates an IEC connector, single or dual fuse holder(s), optional voltage selector switch and double pole power ON/OFF switch. It adapts to 110-120V or 220-240V input voltage simply by reversing the fuse cartridge. This series is offered with a 3, 6 or 10 amp rating.

## Specifications

<b>Voltage rating:</b>	115/250 VAC
<b>Line frequency:</b>	50/60 Hz
<b>Leakage current:</b> (line-to-ground)	0.30 mA maximum at 115 V, 60 Hz 0.50 mA maximum at 250 V, 50 Hz
<b>Test voltage:</b>	Line to ground, 2250 VDC Line to line, 1450 VDC

## Electrical Schematic



## Common Mode

Current Rating	Frequency (MHz)						
	.05	.1	.15	1	5	10	30
3 A	24	30	34	38	38	38	25 (db)
6 A	10	15	20	35	40	40	30 (db)
10 A	5	10	15	25	37	40	30 (db)

## Differential Mode

Current Rating	Frequency (MHz)						
	.05	.1	.15	1	5	10	30
3 A	2	5	12	55	40	40	35 (db)
6 A	2	5	5	50	40	40	40 (db)
10 A	2	5	5	45	40	40	30 (db)

Minimum Insertion loss in 50 ohm system per MIL-STD-220A

## How to define a part number:

**EY**      **1**      **3**  
Series      Fusing      Current  
                 1=Single      Rating  
                 2=Dual

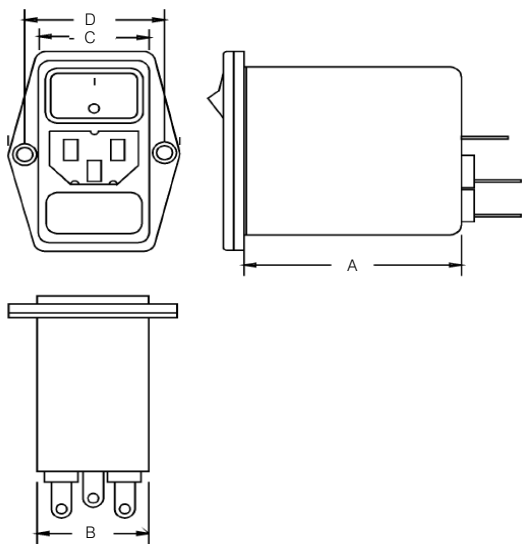
# EY Series

## Ordering Information

Current Rating	Part Number	Dimensions (mm)			
		A	B	C	D
3A	EY1-3	70.10	29.00	28.50	40.00
	EY2-3	70.10	29.00	28.50	40.00
6A	EY1-6	70.10	29.00	28.50	40.00
	EY2-6	70.10	29.00	28.50	40.00
10A	EY1-10	70.10	29.00	28.50	40.00
	EY2-10	70.10	29.00	28.50	40.00

Connections are 0.250 Tab Terminals which extend 14.73mm.  
Mounting Hole Diameters are 4.78mm

## Dimensions:



## Panel Cut-Out:

