

HPC Series

IEC-320 C14 Inlet High Performance Line Filters
1-6 Amp Panel Mount Package



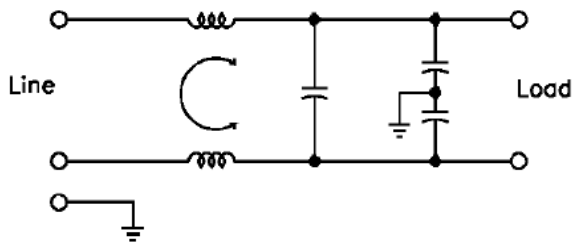
UL File No. LR56661
CSA File No. LR49272
TUV File No. R30001
VDE File No. 51403



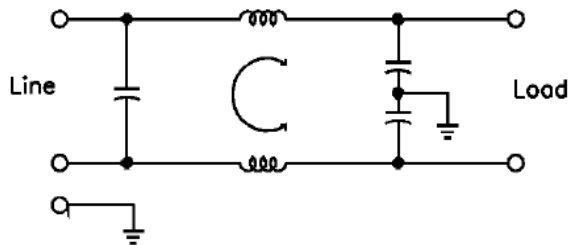
Applications

The HPC series high-performance IEC-320 C14 Inlet Line filters offer higher attenuation in both common and differential modes than our standard C series filters, and are used as when C series filters do not adequately suppress noise to meet requirements.

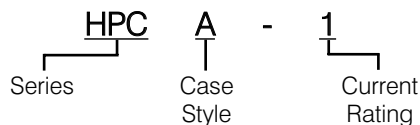
Electrical Schematic (All Standard Models)



Optional Electrical Schematic (add suffix "-2")



How to define a part number:



Specifications

Voltage rating:	115/250 VAC
Line frequency:	50/60 Hz
Leakage current: (line-to-ground*)	0.25 mA maximum at 115 V, 60 Hz 0.50 mA maximum at 250 V, 50 Hz
Test voltage:	Line to ground, 2250 VDC Line to line, 1450 VDC

Common Mode

Current Rating	Frequency (MHz)							
	0.15	0.2	0.5	1	5	10	20	30
1 A	24	30	38	42	49	52	55	55 (db)
3 A	20	26	29	36	45	50	55	55 (db)
6 A	14	19	23	30	41	45	50	50 (db)

Differential Mode

Current Rating	Frequency (MHz)							
	0.15	0.2	0.5	1	5	10	20	30
1 A	3	10	15	20	37	37	37	36 (db)
3 A	3	10	15	20	37	37	37	36 (b)
6 A	3	8	15	20	31	35	35	34 (db)

HPC Series

Ordering Information

Current Rating	Part Number	Dimensions (mm)			
		A	B	C	D
1A	HPCA-1	39.37	29.72	20.57	40.00
	HPCB-1	39.37	29.72	20.57	40.00
3A	HPCA-3	39.37	29.72	20.57	40.00
	HPCB-3	39.37	29.72	20.57	40.00
6A	HPCA-6	39.37	29.72	20.57	40.00
	HPCB-6	39.37	29.72	20.57	40.00

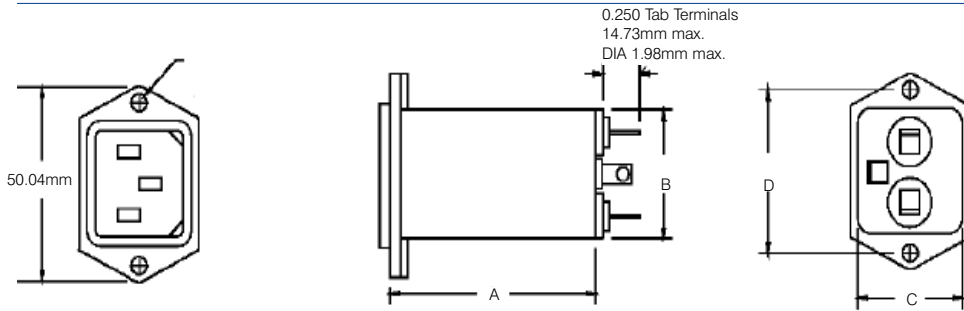
Add the suffix "-2" to designate circuit 2 schematic; e.g. HPCA-1-2

For small solder lug terminations add suffix "L"; e.g. HPCA-1L.

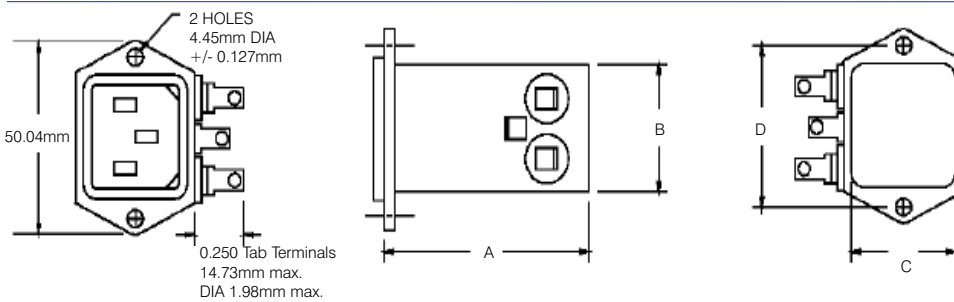
For 4.25" Wire Leads, add the suffix "W"; e.g. HPCA-1W

Contact the factory for other wire lengths or terminations.

CASE STYLE A:



CASE STYLE B:



PANEL CUT-OUT:

