

LSTQ Series

Switching Transient General Medical Application Filters



UL File No. (Pending)
CSA File No. (Pending)
TUV File No. (Pending)



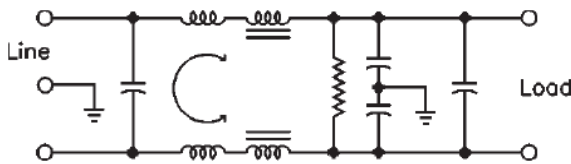
Applications

The LSTQ series is designed to provide increased attenuation down to 10 kHz. This series provides high attenuation for both common and differential mode interference, with little degradation throughout the frequency range, because of the large peak currents drawn by many switching power supplies.

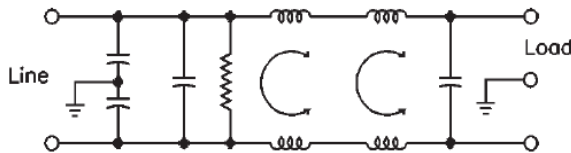
These filters are for applications which must meet the limits of VDE 0871 from 10 kHz to 30 MHz, as well as FCC Part 18 for ISM equipment.

The LSTQ series meets the leakage requirements of VDE and SEV portable equipment and IEC 2601 (120-volt) nonpatient medical equipment.

Electrical Schematic (3 Amp Models)



Electrical Schematic (6 Amp Models)



How to define a part number:

STQ

Series

3

Case
Style

-

3

Current
Rating

Specifications

Voltage rating:	115/250 VAC
Line frequency:	50/60 Hz
Leakage current:* (line-to-ground)	0.25 mA maximum at 115 V, 60 Hz 0.50 mA maximum at 250 V, 50 Hz
Test voltage:	Line to ground, 2250 VDC Line to line, 1450 VDC

Common Mode

Current Rating	Frequency (MHz)								
	.01	.02	.05	.15	.50	1.0	5.0	10	30
3A	22	27	36	47	47	43	45	45	45 (dB)
6A	28	32	22	69	72	68	70	55	43 (dB)

Differential Mode

Current Rating	Frequency (MHz)								
	.01	.02	.05	.15	.50	1.0	5.0	10	30
3A	1	17	42	65	75	75	65	65	60 (dB)
6A	10	10	48	74	80	80	80	70	70 (dB)

Minimum Insertion loss in 50 ohm system per MIL-STD-220A

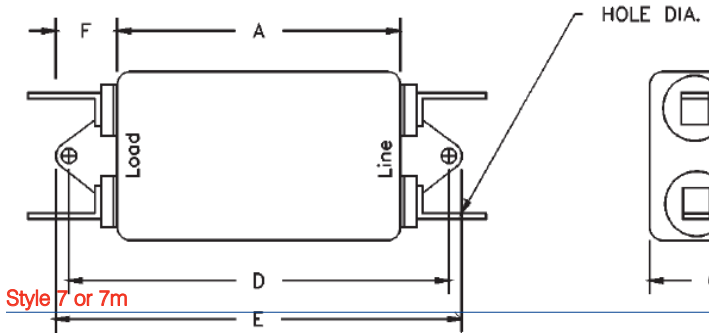
LSTQ Series

Ordering Information

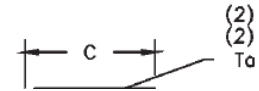
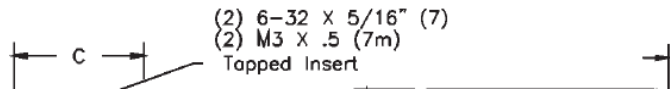
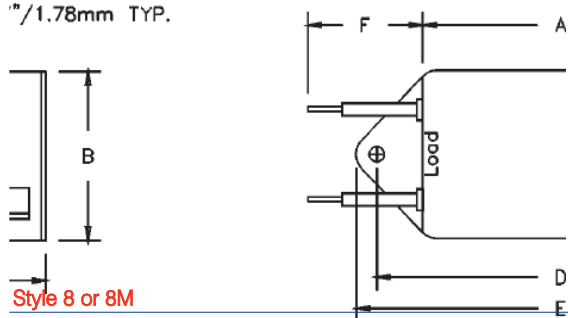
Current Rating	Part Number	Dimensions (mm)				
		A	B	C	D	E
3	LSTQ1-3	63.5	50.8	44.45	74.68	84.32
	LSTQ3-3	63.5	50.8	44.45	74.68	84.32
	LSTQ7-3	76.2	55.63	44.45	40.0	16.0
	LSTQ8-3	76.2	55.63	44.45	40.0	16.0
6	LSTQ1-6	92.21	57.15	44.45	103.2	113.54
	LSTQ3-6	92.21	57.15	44.45	103.2	113.54
	LSTQ7-6	111.76	57.15	44.45	40.0	16.0
	LSTQ8-6	111.76	57.15	44.45	40.0	16.0

0.250 Tab Terminals extend 14.73mm.
 18 AWG wire leads extend 107.95mm (max).
 Mounting Hole Diameters are 4.78mm.

Style 1



Style 3



Panel Cutout

